

ANTI-STATIC BARS

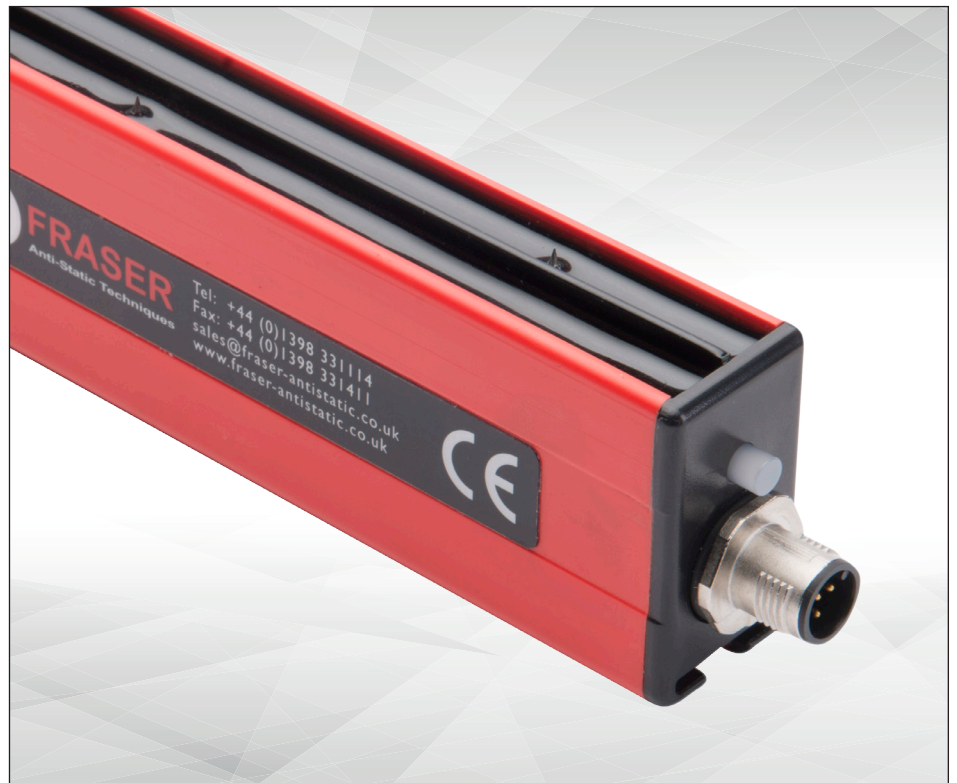
NEOS 12 INTELLIGENT IONISING BARS

The NEOS range of static eliminators is a major advance in industrial static control technology. NEOS intelligence monitors and reacts to the static charge by emitting the quantity and polarity of ions to neutralise it. The combination of NEOS intelligence with intense ion generation creates static eliminators for the most demanding applications.

NEOS 12 is available in 2 versions: **NEOS 12F** is designed to be mounted within 100 mm of the product. It is the most powerful short range static eliminator available.

NEOS 12L is a medium range static eliminator for distances up to 600 mm. For longer ranges see also **NEOS 20** and **NEOS 30**.

- > Shockless, resistively coupled emitters made in tungsten for long life.
- > NEOS Intelligence has two automatic and three manual settings to give the operator complete control. See page 2.
- > Remote and local monitoring of operation and "Clean Me" function.
- > LED status indication:
Green = OK
Red = Fault
Green and Red Flash = Clean Me, attention needed.
- > 100% coverage. Effective length = Overall length. No dead zone.
- > 24 V DC supply, M12 5-pin connector.



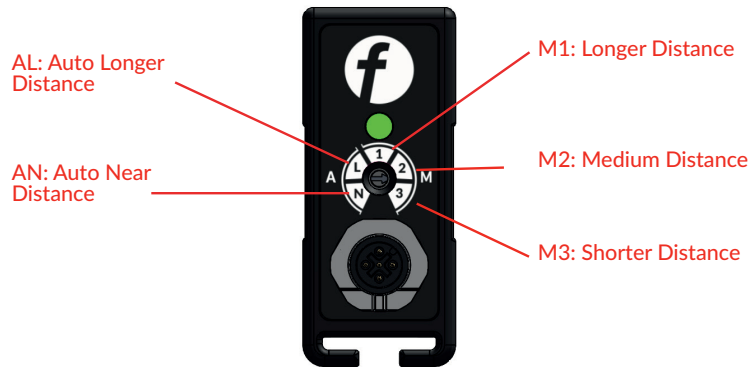
Specification

Size:	NEOS 12F: min length 300 mm then steps of 60 mm to 4.98 m. NEOS 12L: min length 360 mm then steps of 120 mm to 4.92 m.
Electrical Supply:	24 V DC (21-27 V), maximum current required 1 A M12 5-pin connector.
Remote Monitor:	2 signals available: "HV OK" and "Attention" can be used to drive external loads or interface to systems (lamp, relay, PLC as required).
High Voltage Supply:	12 kV supply integrated into Bar.
Construction:	Reinforced FR-ABS Industrial grade extrusion and end cap, fully encapsulated with epoxy resin.
Protection Classification:	IP67. Fully sealed.
Environment:	-10 to 55°C, 70% RH non-condensing.
Weight:	1.5 kg/m.
Certifications:	CE. UL & CB

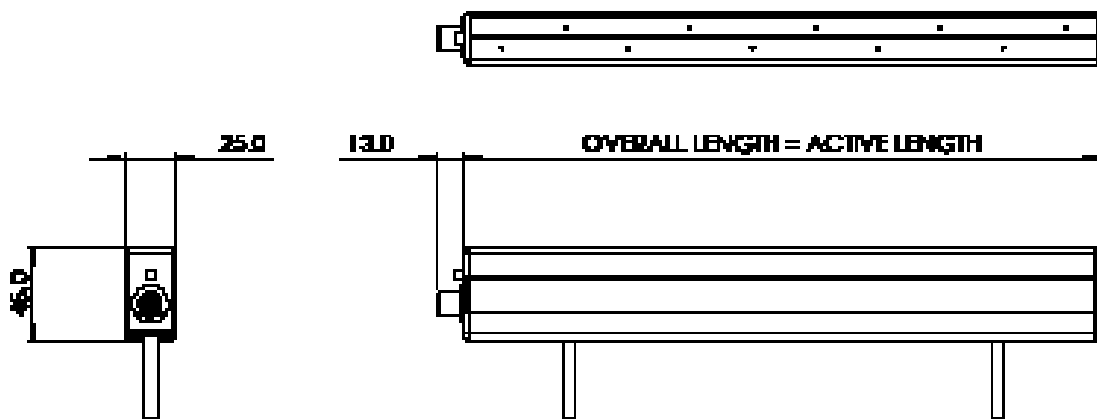
NEOS Intelligence

The rotary switch at the non-cable end of the bar gives the operator full control over the NEOS bar. The default factory setting is AUTO NORMAL for intelligent operation within the working ranges of 30 - 100 mm for the F model and 100 - 600 mm for the L model.

AUTO LONG may be chosen if the operating distance is always toward the long end of the range. The customer may also select to turn off the intelligent modes and run the bar as a standard static eliminator. There are three manual settings for **Short, Medium and Long Range** Operation.



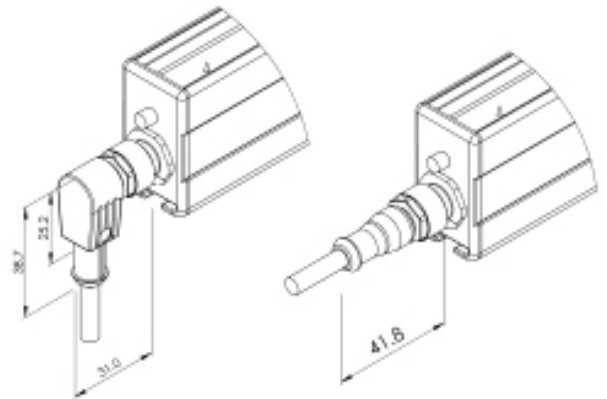
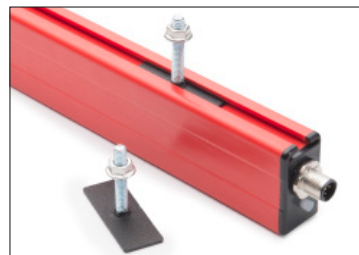
Dimensions - NEOS 12



* note - overall length = order length + 6 mm (including end caps)

Mounting

'T' M6 x 40 mm stud and flange nut. Two fixing slides for bars up to 1 m, plus one extra for every additional 500 mm.



Accessories/Spares

Description	Part No.	Description	Part No.
3m cable with 180° connector	81193	3m cable with 90° connector	81199
5m cable with 180° connector	81194	5m cable with 90° connector	81200
7.5m cable with 180° connector	81195	7.5m cable with 90° connector	81201
10m cable with 180° connector	81196	10m cable with 90° connector	81202
Additional mounting set	341210	NEOS AC/DC 24V Power Supply*	NEOS-PSU

24V Cables must be ordered separately. They have standard M12 5-pin female connectors.

* Do not use ANY other standard power supplies with this product. Third party power supplies WILL cause damage and void warranty.