

# LONG RANGE

## 3850-SC IONSTORM BARS

Ionstorm uses advanced pulsed DC ionisation technology for static neutralisation at long distances without air assistance.

**Ionstorm Static Elimination is used on winders, mouldings, assembly benches and hoppers - wherever long range static control is needed.**

- > Ionstorm has been designed to optimise static neutralisation performance at distances between 200 mm and 1 m.
- > Market leading performance and the proven reliability of Fraser.
- > Fully controllable output with lockable settings.
- > Unique, double-wall separation of the positive and negative polarities for reliability and low maintenance.
- > Long life tungsten emitters. Replaceable if damaged or worn.
- > It is the essential tool when you demand long range, high performance static control.
- > There are two models available - 3850SC & 3850HP-SC. Please see page 2 for details.



### Specification

<b>Construction:</b>	Rigid easy-to-clean body.
<b>Size:</b>	Length to 5 m in one rigid bar. Can be joined together to make bars up to 10 m.
<b>Emitters:</b>	Made of tungsten in a F.R. ABS housing. Replaceable if lost or damaged.
<b>Cable</b>	In a protective nylon conduit, 2 m standard. Up to 10 m can be specified provided that it is within maximum load.
<b>Connections:</b>	Screw connectors for fast connection to Controller. Multiple bars can be powered by one controller with use of a connector box.
<b>Mounting:</b>	Adjustable M6 x 40 mm "T" pieces in slot.
<b>Controller:</b>	Powered by 3700SC Controller.
<b>Environment:</b>	60 °C max. 70% rH non-condensing max.

## How it works:

The Ionstorm bar emits positive and negative ions from dedicated emitters. The pulsing action propels the ions towards the object to be neutralised.

The ionised air supplies ions to neutralise the charge in the object. The higher the static charge, the more ions are attracted by the object. The Ionstorm bar is powered by a 3700SC Ionstorm controller.

### 3850-SC

Standard bar with emitters at 125 mm pitch. Lengths in multiples of 250 mm up to 5 m: 250 mm, 500 mm, 750 mm etc.

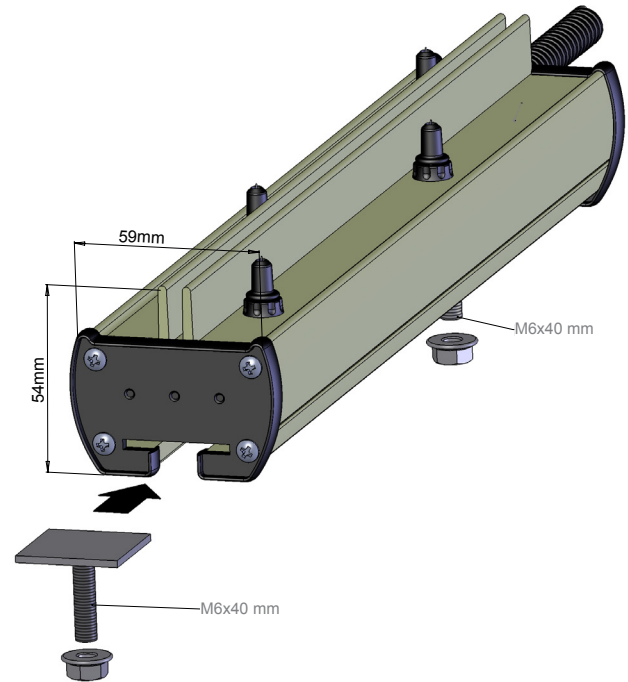
### 3850HP-SC

Higher performance version with emitters at 75 mm pitch. Better than the standard 3850-SC at all ranges up to 750mm. Available in lengths of 175 mm, 300 mm, 400 mm, 500 mm and then in multiples of 150 mm up to 5 m: 650 mm, 800 mm, 950 mm.

### Maximum Load per 3700-SC Controller:

3850-SC - 15 m of Bar and Cable.

3850HP-SC - 12 m of Bar and Cable.



## 3700SC Ionstorm Controller Specification:

- Range:** Set slow frequency for distances up to 1 m, and a faster frequency for closer distances, e.g. 300 mm.
- Balance:** If the static charge varies, set a balanced output. If the static is constant, the balance can be adjusted 80:20 in each polarity for even better performance.
- Power:** Adjustable from 0-14 kV. Totally shock proof.
- Supply Voltage:** 115 V 50/60 Hz, 230 V Hz, 24 V DC.
- Alarm:** Shows correct function.
- Remote Control:** Available through DIN Connector for on/off and alarm.

## Dimensions:

