

## Hand - wound stainless steel static discharge reel

The Hand-wound stainless steel reel can be mounted in process areas that have strict non-contamination or corrosion resistant requirements and includes stainless steel static grounding clamps and stainless steel cable.

The reel is supplied with 3mm (AWG #8) diameter stainless steel multi-stranded cable and can also be specified with a see-through flexible nylon coating. Cable lengths of 7.5 metres (25 feet), 15 metres (50 feet) and 30 metres (100 feet) can be ordered with stainless steel & ATEX/FM approved X45 and X90 static grounding clamps.

Additional features include a stowage pin for stowing static grounding clamps when they are not in use and a locking mechanism to prevent unspooling of the cable from the reel.



ATEX EX II 2 GD T6

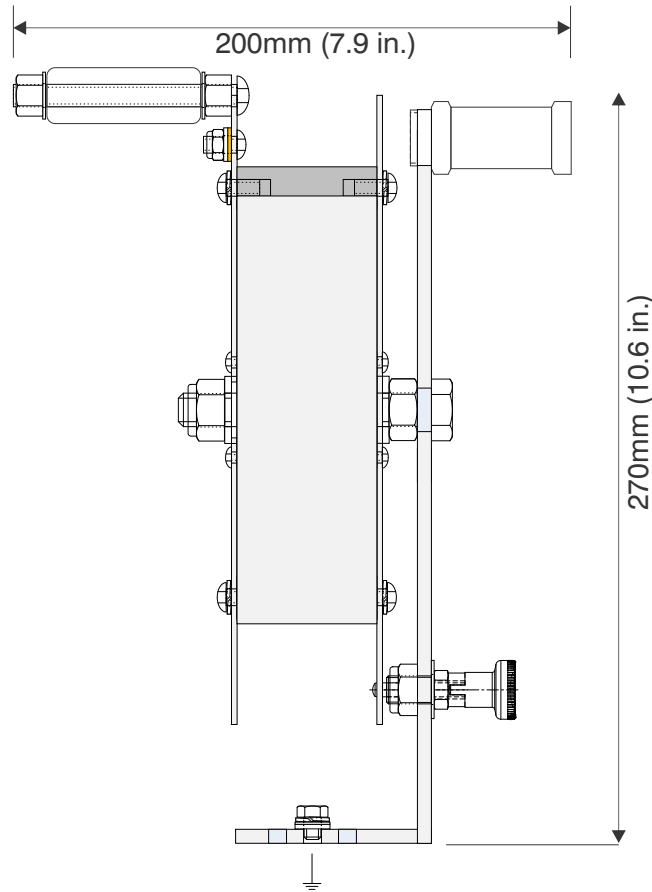


X45 stainless steel static grounding clamp for connection to closed top 205 litres drums and smaller drums & vessels (ATEX/FM approved)



X90 stainless steel static grounding clamp for connection to large containers including IBCs & open top 205 litres drums. (ATEX/FM approved)

Newson Gale | For over 30 years Newson Gale has been supplying the chemical and processing industry worldwide with its market leading range of static control products ensuring people and plant are protected from static related fires and explosions.



Product Code	Product Description
CRSC07SS CRSC15SS CRSC30SS	7.5 m (25 ft) 3 mm (AWG #8) diameter stainless steel cable 15 m (50 ft) 3 mm (AWG #8) diameter stainless steel cable 30 m (100 ft) 3 mm (AWG #8) diameter stainless steel cable
CRSC07NC CRSC15NC CRSC30NC	7.5 m (25 ft) 2.5 mm (AWG #10) diameter stainless steel cable Nylon coated 15 m (50 ft) 2.5 mm (AWG #10) diameter stainless steel cable Nylon coated 30 m (100 ft) 2.5 mm (AWG #10) diameter stainless steel cable Nylon coated
X45 X90	ATEX/FM approved stainless steel static grounding clamp 120 mm (4.7 in.) long ATEX/FM approved stainless steel static grounding clamp 235 mm (9 in.) long
14 20	14 mm diameter stowage pin for X45 static grounding clamp 20 mm diameter stowage pin for X90 static grounding clamp

**How to order:** when ordering the X45 or X90 clamp with the selected reel, add X45 or X90 to the end of the code following selection of the appropriate stowage pin e.g. **CRSC07SS14/X45.**

Cen Stat™ is a registered Trademark of Newson Gale®