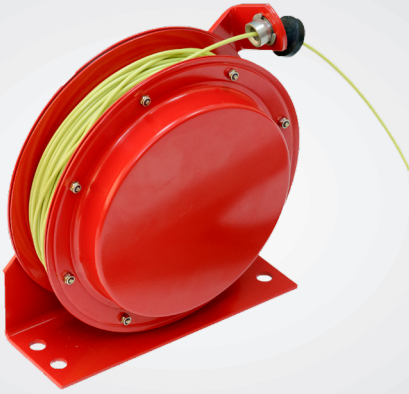


## Static Discharge Grounding Reel

30 m / 100 ft Static Grounding Reels



Static Discharge Grounding Reel



Newson Gale static discharge grounding reels are used to ground static charges on equipment during the transfer and storage of combustible fuel and other flammable liquids.

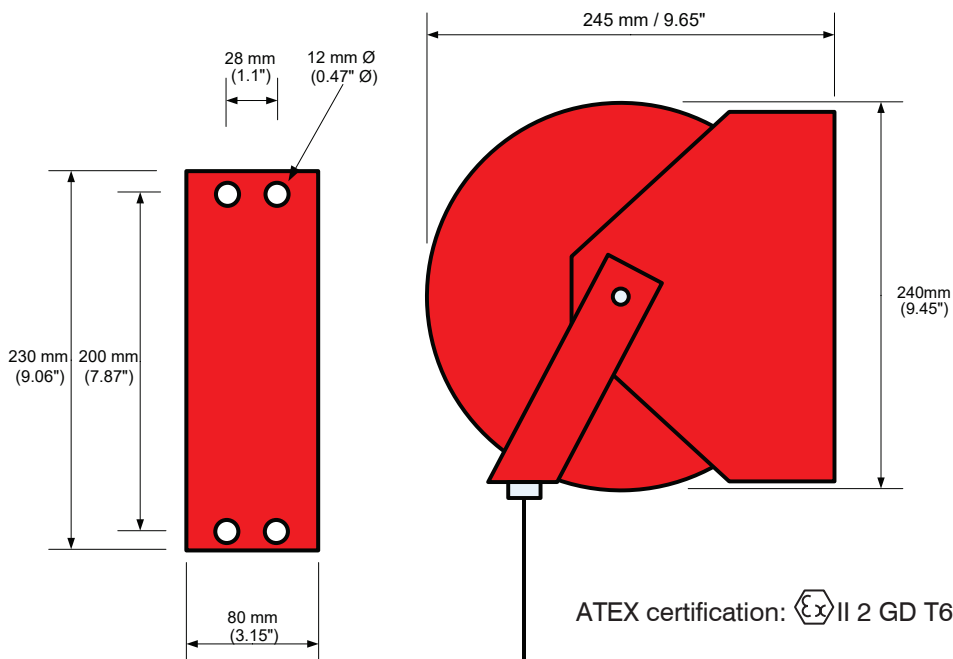
The VESM19 reel is a spring operated retractable 30 m (100 ft) reel that features a latching mechanism to lock the reel in position when the grounding clamp and cable is payed out to the required length.

The VESM21 reel is a spring operated retractable 30 m (100 ft) reel that does not include a latching mechanism, enabling the cable to move freely when it is being payed out or retracted.

The non-latching mechanism of the VESM21 is especially useful for grounding floating roofs on storage tanks.

The cable is a 2.3 mm braided galvanised steel cable with 3.2 mm OD Hytrel® sheath.

Depending on the object to be grounded, the reels will be connected to objects requiring grounding protection with ATEX & FM approved static grounding clamps. Where the VESM21 is permanently connected to objects an eyelet may be specified.



## Operation of the VESM19

Engage the ratchet lock by paying out the grounding clamp and cable to the required length and then allow it to retract slightly until the latching system engages. When the grounding operation is complete, pull out the cable to disengage the latching system and allow the cable to retract. Ensure that the grounding clamp and reel are retracted in a controlled manner. Failure to do so may result in damage to the reel or personnel working in proximity to the reel.

## Operation of the VESM21

The VESM21 will be bolted permanently onto objects like floating roofs of storage tanks and does not require handling by personnel.

## Installation of the VESM19

Mount the reel in the vertical plane as shown in the diagram. Wear on the cable can be minimised by mounting the reel in a direct line to the object that requires static grounding protection. This will reduce the frequency of the cable being pulled out at different angles and prevent excessive wear.

## Installation of the VESM21

Mount the reel in the vertical plane as shown in the diagram. Bolt the end of the cable to the object to be grounded, e.g. floating roof.

Ensure that when the reels are installed continuity checks are performed that indicate the resistance from the grounded object, through the reel, back to the reels's verified earth grounding point is NOT more than 25 Ohms.

## Maintenance

The reel is lubricated and should not require additional lubrication throughout period of operation. Perform regular continuity tests to ensure there is adequate continuity of NOT more than 25 Ohms resistance between grounded objects and the verified earth ground to which the reel body has been connected.



The safety of any system incorporating the equipment referred to in this manual is the responsibility of the installer of the system.

If the equipment is used in a manner not specified by the manufacturer, the protection provided by the equipment may be impaired.

Any warranty is made void if the equipment is not installed, or used, in accordance with the manufacturers instructions.

**“Warning: Do not disassemble the spring motor, or spring housing, for any reason. Serious personal injury could result. This cable reel is equipped with springs under tension.”**

### Copyright Notice

The website and its content is copyright of Newson Gale Ltd © 2020. All rights reserved.

Any redistribution or reproduction of part or all of the contents in any form is prohibited other than the following:

- you may print or download to a local hard disk extracts for your personal and noncommercial use only
- you may copy the content to individual third parties for their personal use, but only if you acknowledge the website as the source of the material

You may not, except with our express written permission, distribute or commercially exploit the content. Nor may you transmit it or store it in any other website or other form of electronic retrieval system.

### Right to change

This document provides general information only and may be subject to change at any time without notice. All information, representations, links or other messages may be changed by Newson Gale at any time without prior notice or explanation.

Newson Gale is not obliged to remove any outdated information from its content or to expressly mark it as being outdated. Please seek the advice of professionals as necessary regarding the evaluation of any content.

### Disclaimer of liability

The information provided in this Datasheet is provided by Newson Gale without any representations or warranties, expressed or implied, as to its accuracy or completeness. The liability of Newson Gale for any expenses, losses or actions incurred whatsoever by the recipient as a result of the use of this Datasheet shall be excluded.