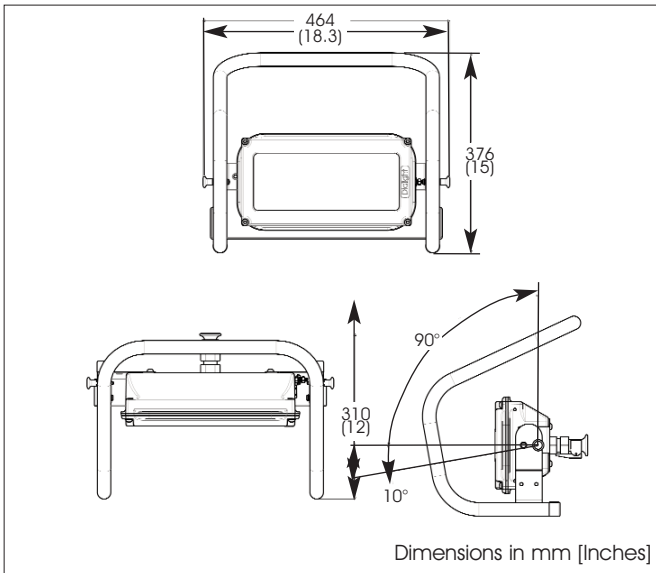




Patent #8,029,162

DuroSite® LED Bulkhead luminaire Transportable Version



Certifications & Ratings:

- CE Compliant to:
EN 55015: 2006 / EN 61547: 2009 / EN 60598: 2008
- UL 1598/A (pending)
- UL 8750 (pending)
- CSA C22.2 NO.25 (pending)
- IP 66/67
- RoHS compliant

Features & Benefits:

- L70 rated for >100,000 hours @ 25°C ambient
- 5 year full performance warranty
- Emergency exit sign kit options available
- Instant on/off operation
- Mercury free, lead free
- Resistant to shock and vibration
- Red and Green LED colour available upon request
(MOQ applies for above colors, contact us at www.dialight.com)

Application:

The Dialight DuroSite® Transportable LED Bulkhead is a high performance, light weight luminaire designed for use in industrial areas as temporary lighting and for maintenance tasks, such as tank cleaning and sandblasting.

Mechanical Information

Fixture Weight:	11W & 22W - 4.70kg (10.30 lbs) 34W - 4.85kg (10.70 lbs)
Cable Entry:	All cable entries are drilled and tapped see ordering options.

Electrical Specifications

Operating Voltage:	100-277 V AC, 50/60 Hz
Total System Power Consumption:	11W / 22W / 34W
Operating Temp:	11W / 22W - -40°C to +60°C (-40°F to +140°F) 34W - -40°C to +50°C (-40°F to +122°F)

Noise Requirements / EMC:

FCC Title 47, Subpart B, Section 15, class B device. RF Immunity; 10V/m, 80MHz-1GHz

Harmonics: EN 61000-3-2: 2006

THD: <15% @ 120V AC
<20% @ 230V AC

Surge Protection: 1 kV line to line
2 kV line to ground

Power Factor: > 0.9

Materials

Housing:	Copper free LM6 alum cast
Finish:	Yellow epoxy powder coated (RAL 1018)
Lens:	High impact resistant clear glass High impact resistant frosted glass
Mounting Bracket:	316 stainless steel

Photometric Information

CRI:	70
CCT:	4,300K (neutral white) 5,650K (cool white)

IES Files: see www.dialight.com

All values typical unless otherwise stated
All lumen values are typical (tolerance +/- 10%)



DuroSite® LED Wallpack Fixture



Ordering Information

Part Number	Voltage	Lens	Optic	CCT	Lumens	Wattage	LPW
TW-2C3L-SYWC	100-277V AC	Clear Glass	Wide	CW	2,250	34	66
TW-2N3L-SYWC	100-277V AC	Clear Glass	Wide	NW	2,250	34	66
TW-4C3L-SYWC	100-277V AC	Clear Glass	Oval (35° X 55°)	CW	2,250	34	66
TW-4N3L-SYWC	100-277V AC	Clear Glass	Oval (35° X 55°)	NW	2,250	34	66
TW-2C3H-SYWC	100-277V AC	Clear Glass	Wide	CW	1,200	22	55
TW-2N3H-SYWC	100-277V AC	Clear Glass	Wide	NW	1,200	22	55
TW-4C3H-SYWC	100-277V AC	Clear Glass	Oval (35° X 55°)	CW	1,200	22	55
TW-4N3H-SYWC	100-277V AC	Clear Glass	Oval (35° X 55°)	NW	1,200	22	55
TW-2C3C0-SYWC	100-277V AC	Clear Glass	Wide	CW	600	11	55
TW-2N3C0-SYWC	100-277V AC	Clear Glass	Wide	NW	600	11	55
TW-4C3C-SYWC	100-277V AC	Clear Glass	Oval (35° X 55°)	CW	600	11	55
TW-4N3C-SYWC	100-277V AC	Clear Glass	Oval (35° X 55°)	NW	600	11	55

Models shown are clear glass for:

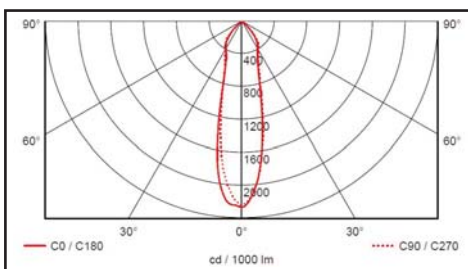
Frosted glass models replace the 12th character with a **E** TW-2C3L-SYWC becomes TW-2C3L-SYWE (Frosted lens option will reduce lumen output by 6%)

Accessories

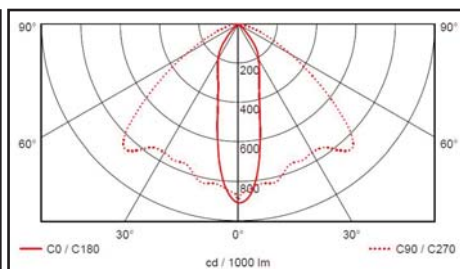
	Part Number	Description
	WP-CM-WG	Wire guard
	WP-CM-SB	Sand blast shield

Polar Plots

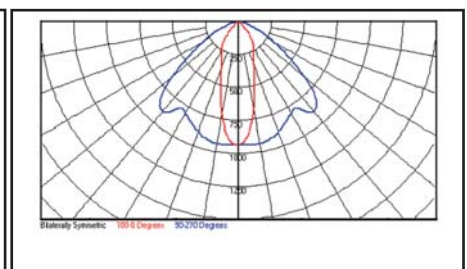
Narrow Optic



Wide Optic (35°x55°)



Wide Optic (55°x35°)



Dialight reserves the right to make changes at any time in order to supply the best product possible. The most current version of this document will always be available at: www.dialight.com/Assets/Brochures_And_Catalogs/Illumination/MDXWPTW001.pdf

Warranty Statement: EXCEPT FOR THE WARRANTY EXPRESSLY PROVIDED FOR [HEREIN/ABOVE/BELOW], DIALIGHT DISCLAIMS ANY AND ALL OTHER WARRANTIES, EXPRESS OR IMPLIED, INCLUDING, WITHOUT LIMITATION, ANY WARRANTIES OF MERCHANTABILITY, FITNESS FOR A PARTICULAR PURPOSE, TITLE, AND NON-INFRINGEMENT

MDXWPTW001_A_011012