

502 series with plug connections by Stahl



Illustration similar



Product properties

- Solid rubber cable reel in EX design
- Suitable for zone 1 and 2
- Zinc-plated steel tube frame, black powder-coated with brass feet
- Design with K2 and EX labelling
- With warning notice:
"Using the cable reel in an environment at risk of explosion of gas group IIC is only permitted if the cable is first connected or the cable reel is standing on a conductive base or conductive and earthed base."
- High mechanical stability
- Impact-resistant and ageing-resistant
- Internal wedge brake
- Maintenance-free
- Resistant to chemical influences
- Resistant to oils and acids
- UV and weather resistant

Safety precautions

Always read the label on the cable reel before use!

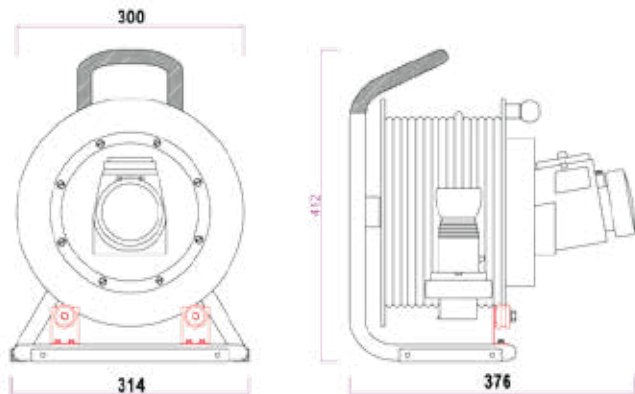
Cable reel 502Ex is not suitable for zones 0, 20, 21 and 22. The temperature class and ignition protection classes specified on the equipment must be complied with. In order to avoid the non-permitted heating of cables, particularly while coiled, the maximum loads specified must not be exceeded.

The use of cable reel 502Ex in explosion group IIC is only permitted if the cable is first connected or the cable reel is standing on a conductive base or conductive and earthed base. Otherwise, the cable reel can be used in all zones only in explosion group IIA and IIB. No modifications or alterations must be made to the cable reels. The cable reels must only be operated in undamaged condition.

Note national safety and accident prevention regulations.

Technical data

| | |
|-------------------------------|---------------------|
| Labelling: | ⊕ EX II 2 G CE 0102 |
| Explosion protection: | EEX de IIC, IIB, T6 |
| Test report: | PTB Ex 04-14334 |
| EC type approval certificate: | PTB 03 ATEX 1186 |
| Dimensions: | 300x410x230 mm |
| Protection category: | IP 54 |
| Sim. factor: | 1 |
| Weight: | approx. 13 kg |



Spare parts

No individual or spare parts are supplied for safety reasons. Professional repairs with recorded final checks must only be carried out at the manufacturer's.

| Article No. | Designation | Current strength/voltage in V/A | Equipment |
|-------------|-------------|---------------------------------|---|
| 251152 | 502 Ex | 400/16 | Input: 30 m GIFAS-PROFLEX-07 cable 5x2.5 mm ² , CEE plug 5x16A/400V, made by Stahl Output: 1 CEE built-in socket 5x16A/400V, no fuse, made by Stahl Labelling: 502EXR30525/1/16/SN |
| 251137 | 502 Ex | 230/16 | Input: 30 m GIFAS-PROFLEX-07 cable 3x2.5 mm ² , CEE plug 3x16A/230V, made by Stahl Output: 1 CEE built-in socket 3x16A/230V, made by Stahl Labelling: 502EXR30325/13P/163P/SN |

