

Earth-Rite® FIBC

Static grounding protection for Type C FIBC located in potentially flammable/combustible gas or dust atmospheres



The **Earth-Rite® FIBC** system validates and monitors the resistance of Type C FIBC bags ensuring that the conductive elements of the bag are capable of dissipating electrostatic charges in compliance with IEC 61340-4-4 “Standard test methods for specific applications - Electrostatic classification of flexible intermediate bulk containers (FIBC)” and NFPA 77 “Recommended Practice on Static Electricity”.

Enquiry > Click here to submit a product related query or a request for quotation.

The Earth-Rite FIBC system can be installed and setup to ensure that operators ground the bag before filling or emptying operations are started. During the bag filling / emptying process the Earth-Rite FIBC system continuously monitors the resistance of the bag so that if it rises above the recommended level of 1×10^7 ohms (10 meg-ohm) this dangerous situation can be indicated to operators and the process halted, either manually or via the system’s pair of NO/NC volt free contacts.

This feature ensures the generation and accumulation of static charges on the bag is stopped eliminating the risk of an incendive electrostatic spark discharge.

To compensate for normal wear and tear on Type C bags it is important to ensure the bag maintains its capacity to dissipate charge and also ensure the ground connection between the bag and plant earth grounding point is functioning correctly.

Newson Gale can also provide FIBC grounding systems that can validate and monitor Type C bags designed with an upper resistance threshold of 1×10^8 ohms (100 meg-ohm).



Earth-Rite FIBC Type C Static Grounding System

The Earth-Rite FIBC includes:

- > SDP Controller (static dissipative GRP) with Intrinsically Safe Monitoring Circuits.
- > FIBC Grounding Clamp with single conductor Hytrell® Protected Cable.
- > Junction Box with Stowage Pin for stowing FIBC Grounding Clamp.

Earth-Rite® FIBC Static grounding protection for Type C FIBC located in potentially flammable/combustible gas or dust atmospheres

Features and Benefits

Attention grabbing LEDs

Three green LEDs continuously pulse informing operators that the FIBC bag to be protected from static discharges is correctly grounded. When the system is not in use, or when it detects the resistance in the static dissipative loop is higher than 1×10^7 ohms, a red LED illuminates the indicator panel located in the static dissipative GRP indicator station.

Continuous Ground Loop Monitoring

Monitors the resistance of the static dissipative loop through the FIBC bag back to the Earth-Rite FIBC via the plant earth grounding point. If the system detects that resistance in the loop is higher than 1×10^7 ohms, it engages a pair of output contacts.

Two volt free output contacts

The primary contact can interlock with electro-mechanical devices or PLC systems to shutdown the flow of product. The secondary contact can interface with attention grabbing audible alarms or strobe lights to provide an extra degree of safety over the hazard.

Easy Installation

Simple to mount GRP enclosures complemented by straightforward cabling and PCB system wiring. Flexible hazardous area enclosure location options with separate IS monitoring / indicator and Power supply PCBs. Power supply PCB can run off both 240 V and 110 V mains / line supply and 24 V / 12 V DC voltage supply.



X45F FIBC stainless steel grounding clamp with Quick Connect and optional lengths of Hytrel protected single core cable included.

- > IEC 60079 32, IEC 61340 4 4 and NFPA 77, state that the resistance through a Type C FIBC bag should not exceed 1×10^7 ohms (10 meg ohm).
- > CLC/TR: 50404, which was superseded by IEC 60079 32, states that the resistance through a Type C FIBC bag should not exceed 1×10^8 ohms (100 meg ohm).



The Earth-Rite FIBC ensures Type C FIBC bags are protected from incendive electrostatic discharges during bag filling and discharging operations.



The Earth-Rite FIBC can be installed in Zoned / Classified combustible dust atmospheres. If gas and vapour atmospheres are present an Ex(d) / XP, Zone 1 / Class I, Div. 1 system may be specified.

Options

- Ex(d)XP Flameproof enclosure for gas & vapour atmosphere.
- A 2nd clamp connects FIBC bag to verified earth grounding point.
- Explosion Proof Strobe Light
- IEC/Cenelec (European) and NEC/CEC (North American) versions available

Certification



Ingress Protection
IP 66

Temperature Range
13°F to +131°F CSA
40°C to +55°C ATEX / IECEx

Power Supply

110/120V or 220/240V AC, 50 60 Hz, 12V or 24V DC

The Earth Rite® FIBC forms part of the Earth Rite® range of Static Grounding and Bonding Equipment available from Newson Gale.

Earth-Rite® FIBC Static grounding protection for Type C FIBC located in potentially flammable/combustible gas or dust atmospheres

Technical Specification

(Zone 2 Gas / Vapour Installations - Zone 21 & 22 Dust Atmospheres)

Power Supply & Monitoring Unit

Power supply	108/125 V or 216/250 V AC, 50 60 Hz 12 V or 24 V DC
Power rating	10 watt
Ambient temperature range	40°C to +55°C
Ingress protection	IP 66
Weight	1.5 kg (3.3 lbs) nett
Construction	Carbon Loaded GRP
Monitoring circuit	Intrinsically safe
Operational series ground resistance	$\leq 1 \times 10^6$ or 1×10^7 Ohm
Output Relay Contact Rating	2 volt free change over switch contacts, 250 V AC, 5 A, 500 VA max resistive, 30 V DC, 2 A, 60 W max resistive.
Cable Entries	7 x M20 (2 x plugged)

Junction Box/Stowage Point

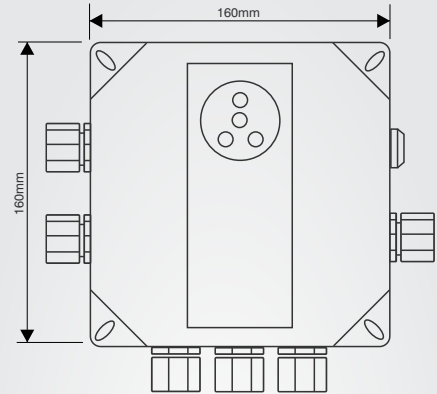
Enclosure Material	GRP with carbon loading
Terminals	2 x 2.5 mm ² conductor capacity
Stowage Device	Insulated 5 mm diameter pin
Cable Entries	1 x 20 mm
Clamp Cable Connection	Quick Connect

Grounding Clamp

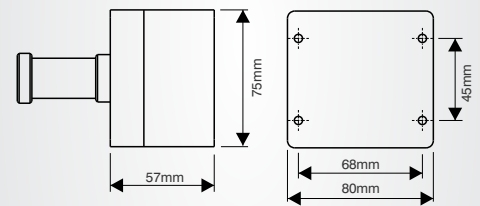
Clamp Design	1 pole with single stainless steel contact
Body	Stainless Steel (SS 304)
Certification	Ex II 1 GD T6
Approval	FM Approved

Spiral Cable

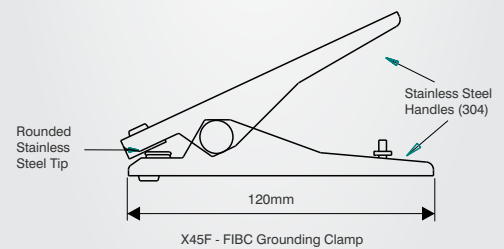
Cable	Blue Cen Stat Hytrell sheath (Static dissipative, chemical & abrasion resistant)
Conductors	1 x 4.00 mm ² steel
Length	5 metres extended, 1 metre unextended (other lengths available, please enquire)



Earth-Rite FIBC consisting of ground status monitoring module and 230V / 110V power supply.



Junction Box/Stowage Point



ATEX certified / FM Approved 2 Pole stainless steel grounding clamp.

Earth-Rite® FIBC Static grounding protection for Type C FIBC located in potentially flammable/combustible gas or dust atmospheres

Hazardous Area Certification

Europe / International:

IECEX

Ex nA nC [ia] IIC T4 Gc(Ga) (gas & vapour).
Ex tb IIIC T70°C Db (combustible dusts).

Ta = 40°C to +55°C.

IECEX SIR 09.0097

IECEX certifying body: SIRA.

ATEX

Ex II 3(1) G

Ex II 2D

Ex nA nC [ia] IIC T4 Gc(Ga)

Ex tb IIIC T70°C Db

Ta = 40°C to +55°C.

Sira 09ATEX2247

ATEX Notified Body: SIRA.

North America:

NEC 500 / CEC (Class & Division)

Associated Equipment [Ex ia] for use in
Class I, Div. 2, Groups A, B, C, D;

Class II, Div. 2, Groups E, F, G

Class III, Div. 2,

Providing Intrinsically Safe circuits for

Class I, Div. 1, Groups A, B, C, D;

Class II, Div. 1, Groups E, F, G;

Class III, Div. 1;

When installed per Control Dwg;

ERII Q 10165 cCSAus

Ta = 25°C to +55°C.

Ta = 13°F to +131°F.

OSHA recognised NRTL: CSA.

NEC 505 & 506 (Class & Zoning)

Class I, Zone 2, (Zone 0), AEx nA[ia] IIC T4
(gas & vapour).

Class II, Zone 21, AEx tD[iaD] 21, T70°C,
(combustible dusts).

CEC Section 18 (Class & Zoning)

Class I, Zone 2 (Zone 0) Ex nA[ia] IIC T4
DIP A21, IP66, T70°C

Additional Certification

Safety Integrity Level:

SIL 2 (in accordance with IEC/EN 61508).

SIL assessment body:

Exida

EMC Tested:

to EN 61000 6 4, EN 61000 6 2

FCC Part 15 (Class B)



IECEX



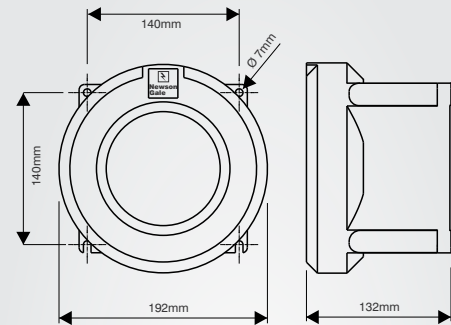
SIL 2

Earth-Rite® FIBC Static grounding protection for Type C FIBC located in potentially flammable/combustible gas or dust atmospheres

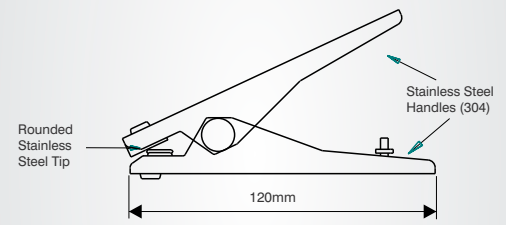
Technical Specification

(Zone 1 Gas / Vapour Installations - Zone 21 Dust Atmospheres)

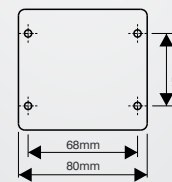
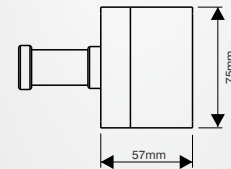
Monitoring Unit	
Power supply	110/120 V or 220/240 V AC, 50 60 Hz 12 V or 24 V DC
Power rating	10 watt
Ambient temperature range	40°C to +55°C
Ingress protection	IP 66
Weight	4.5 kgs (9.9 lbs) nett
Construction	Copper free cast aluminium
Monitoring circuit	Intrinsically safe
Operational series ground resistance	$\leq 1 \times 10^8$ or 1×10^7 Ohm
Output relay contact rating	2 off voltage free change over switch contacts, 250 V AC, 5 A, 500 VA max resistive 30V DC, 2 A, 60 W max resistive
Cable entries	7 x M20 (2 x plugged)
Junction Box/Stowage Point	
Enclosure Material	GRP with carbon loading
Terminals	2 x 2.5 mm ² conductor capacity
Stowage Device	Insulated 20 mm Ø pin
Cable Entries	1 x 20 mm
Clamp Cable Connection	Quick Connect
Grounding Clamp	
Clamp Design	1 pole with single stainless steel contact
Body	Stainless Steel
Certification	Ex II 1 GD T6
Approval	FM Approved
Spiral Cable	
Cable	Blue Cen Stat Hytel sheath (Static dissipative, chemical & abrasion resistant)
Conductors	1 x 4.00 mm ² steel
Length	5 metres extended, 1 metre unextended (other lengths available please enquire)



Copper free cast aluminium enclosure IP 66



X45F - FIBC Grounding Clamp



Simple Apparatus GRP clamp stowage box with grounding clamp stowage pin

Earth-Rite® FIBC Static grounding protection for Type C FIBC located in potentially flammable/combustible gas or dust atmospheres

Hazardous Area Certification

Europe / International:

IECEX

Ex d[ia] IIC T6 Gb(Ga) (gas & vapour).
 Ex tb IIIC T80°C IP66 Db (combustible dusts).
 Ta = 40°C to +55°C.
 IECEX SIR 09.0018
 IECEX certifying body: SIRA.

ATEX

Ex II 2(1)GD
 Ex d[ia] IIC T6 Gb(Ga)
 Ex tb IIIC T80°C IP66 Db
 Ta = 40°C to +55°C.
 Sira 09ATEX2047
 ATEX Notified Body: SIRA.

North America:

NEC 500 / CEC (Class & Division)

Associated Equipment [Ex ia] for use in
 Class I, Div. 1, Groups A, B, C, D;
 Class II, Div. 1, Groups E, F, G;
 Class III, Div. 1,
 Providing intrinsically safe circuits for
 Class I, Div. 1, Groups A, B, C, D;
 Class II, Div. 1, Groups E, F, G;
 Class III, Div. 1,
 When installed per Control Dwg;
 ERII Q 10110 cCSAus
 Ta = 25°C to +50°C.
 Ta = 13°F to +122°F.

OSHA recognised NRTL: CSA.

NEC 505 & 506 (Class & Zoning)

Class I, Zone 1 [0] AEx d[ia] IIC T6 Gb(Ga)
 (gas & vapour).
 Class II, Zone 21 [20] AEx tD [iaD] 21 T80°C
 (combustible dusts).

CEC Section 18 (Class & Zoning)

Class I, Zone 1 [0] Ex d[ia] IIC T6 Gb(Ga)
 DIP A21, IP66, T80°C

Additional Certification

Safety Integrity Level:

SIL 2 (in accordance with IEC/EN 61508).

SIL assessment body:

Exida

EMC Tested:

to EN 61000 6 4, EN 61000 6 2
 FCC Part 15 (Class B)



IECEX



SIL 2

Earth-Rite® FIBC Static grounding protection for Type C FIBC located in potentially flammable/combustible gas or dust atmospheres

System Options

Newson Gale supplies a range of product options that enhance the control and general safety of transfer processes and aid engineers with system installations and routine system service checks. Contact Newson Gale or your local Newson Gale representative for more information on the range of options available.

Installer's Kit

This kit provides installation engineers with the necessary Ex (d) enclosure glands (x5) and system cable (x3) required to complete an **Earth-Rite RTR** or **Earth-Rite PLUS** installation as specified in the system installation manuals. Two of the glands cater for both armoured and non-armoured cable diameters ranging from 9 mm to 13.5 mm. Three glands cater for IS current carrying non-armoured cable with cable diameters ranging from 4 mm to 8.4 mm. * For areas not requiring IIC apparatus.

- > Ex (d) IP68 glands (x2) for armoured or non-armoured cable.*
- > Ex (d) IP68 glands (x3) for non-armoured cable (IS outputs).*
- > 3 m length of 2 conductor cable (x1) to connect system enclosure to clamp stowage box.
- > 1 m length of system ground loop cable (x2), with Ex (d) glands, PCB connectors and bolt eyelets attached.
- > 1 pair of handles to aid opening and closing of the enclosure lid.



Installer's Kit

Product Code: ER2KITA
(Power cable and interlock cable not supplied).

Universal Resistance Tester

The URT is designed to provide owners of Newson Gale **Earth-Rite®** and **Bond-Rite®** static grounding systems with a means of regularly testing the grounding settings for their system on a routine basis.

Periodic testing with the URT verifies that the grounding system's **GO/NO GO** settings are working in compliance with the recommendations of:

NFPA 77: "Recommended Practice on Static Electricity."

IEC 60079-32-1: "Explosive atmospheres. Part 32-1: Electrostatic hazards, guidance."

The easy to use tester consists of a pair of rotary switches that enable a competent electrical person to check the resistance level at which the grounding system should be working and conduct a **PASS / FAIL** test at the required setting.

Earth-Rite® and **Bond-Rite®** products that can be tested with the URT:

- > Earth-Rite® PLUS
- > Earth-Rite® FIBC (both 10 meg-ohm and 100 meg-ohm variants)
- > Bond-Rite® CLAMP
- > Bond-Rite® EZ
- > Bond-Rite® REMOTE
- > OhmGuard® (both 10 ohm and 100 ohm variants).



Universal Resistance Tester

Product Code: URT.

Earth-Rite® FIBC Static grounding protection for Type C FIBC located in potentially flammable/combustible gas or dust atmospheres

Enquiry > Click here to submit a product related query or a request for quotation.

Application Spotlight Type C FIBCs

Type C bags are designed to dissipate static electricity through static dissipative threads that are interwoven through the bag's material.

Grounding tabs located on the bags are points where grounding systems can be connected to ensure static electricity does not accumulate on the bag. To ensure bags destined for use in hazardous areas will not accumulate static electricity to hazardous levels there are several standards that provide guidance on the key parameters to which Type C bags must comply.

The primary standard is IEC 61340 4 4, "Electrostatics Part 4 4: Standard test methods for specific applications Electrostatic classification of flexible intermediate bulk containers (FIBC)." This standard was released in the early part of 2012 and it sets out the essential requirements of Type C bags in relation to eliminating the risk of charge accumulation on the bag. It states that the resistance through the bag should be less than 1×10^7 ohms (10 meg ohm). This means that the resistance from a point on the bag to a grounding tab should never be higher than 10 meg ohm. The latest edition of NFPA 77, "Recommended Practice on Static Electricity", recommends this value of resistance.

This standard is set to supersede the recommendations contained in the 2003 CENELEC technical report, called CLC/TR 50404 which stipulates a maximum value of 1×10^8 ohms (100 meg ohms). The latest edition of **TRBS 2153:2009** recommends the same value of resistance.

Checking and grounding Type C bags.

When a company wishes to utilise Type C bags they must provide a means for grounding the bag. This can be achieved with either passive (single pole clamp and cable) or active means (monitoring systems), but given the scale of the charge that can build up on bags and the resulting energies that can be reached by static sparks, in combination with the presence of a combustible dust cloud, an active grounding system is the better choice.

This is because the system can determine whether or not the bag's construction complies with the recommendations of the standards highlighted above and will also ensure the bag is grounded for the duration of the filling / emptying operation. The primary benefit of checking the resistance through the bag is to ensure that after many cycles of repeated use, the static dissipative threads are functioning correctly and, more importantly, to ensure that bags not of Type C construction are not permitted to be used in the hazardous area. Additional benefits with grounding systems are that they can control the movement of the powder through output contacts interlocked with valves or PLCs.



Helpful Tips for correctly grounding Type C FIBC bags:

- > Ensure Type C bags are manufactured in accordance with the electrostatic recommendations of IEC 61340-4-4 / NFPA 77 or CLC/TR: 50404.
- > Ensure that the grounding system selected can check and continuously monitor the full range of resistance through the bag.
- > Ensure the grounding system not only checks the condition of the bag's static dissipative threads, but also ensure that the ground circuit includes a direct and monitored connection to a verified True Earth grounding point.

Earth-Rite® FIBC Static grounding protection for Type C FIBC located in potentially flammable/combustible gas or dust atmospheres

The illustration highlights how a bag can be checked for its static dissipative capability in combination with providing active grounding of the bag. Following the connection of two quick release clamps, the Earth Rite® FIBC system will identify if the bag is operating in accordance with the relevant standard. This is achieved by sending an Intrinsically Safe (Hazard approved) signal (red line in the illustration) through the bag. If the green ground status indicators pulse continuously, the operators know the bag is grounded. The system verifies the grounding of the bag by ensuring the signal returns via a verified true earth ground. If there is any charge on the bag it will leave the bag via the static dissipative threads to the verified ground. If the output contacts are interlocked with the process then the material cannot flow without the permission of the operator.

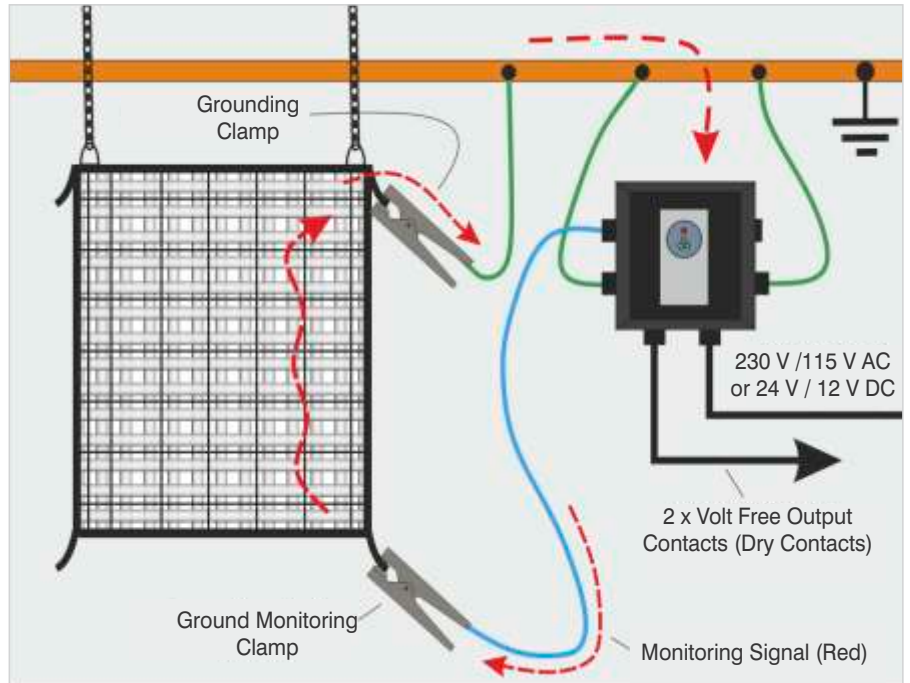
Are the Type C FIBCs 10 meg-ohm or 100 meg-ohm bags?

The primary question to address when selecting a Type C FIBC grounding system is to determine which standard the bags in use are constructed to. Although bags manufactured in accordance with the 10 meg ohm requirement are growing in number, there is a significant percentage of Type C FIBCs manufactured in accordance with the 100 meg ohm requirement.

If the company is committed to using CENELEC compliant 100 meg ohm Type C bags then the grounding system should monitor the full range of resistance.

This ensures that bags of different static dissipative consistency can be checked and monitored for the full permissive range of resistance. Any bags operating outside of this range should be rejected.

Likewise, if a company is committed to using IEC / NFPA 77 compliant 10 meg ohm bags the permissive range of resistance to



which the grounding system should be monitoring should be 0 ohms up to 10 meg ohms.

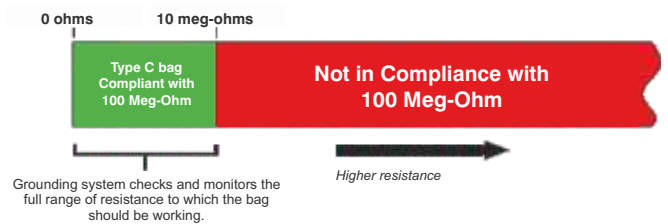
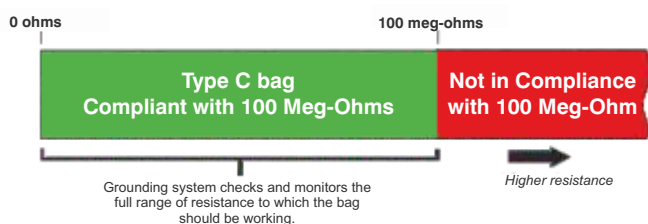
Ensure the grounding system you select is specific to the type of bag in use on site.

If a grounding system is selected that monitors a narrow range of resistance, for example, monitors from 0 ohms up to 50 meg ohms, this creates a problem and this problem could have two outcomes.

The first is that if 10 meg ohm bags are specified for the site, the system could pass faulty bags as it will pass any bag that shows a resistance from 10 meg ohms up to 50 meg ohms. A direct consequence of this feature is that it could be passing bags not manufactured in accordance with IEC 61340 4 4 and the recommendations of NFPA77.

The second outcome is if 100 meg ohm bags are specified for the site. As the grounding system has a cut off resistance of 50 meg ohms, it will fail any bag that is operating between 50 meg ohms and 100 meg ohms. A direct consequence of this problem is that the system could reject a bag that is perfectly adequate and result in delayed operations while the operators are replacing the bag.

It is, therefore, of paramount importance to determine what types of Type C bags the site will be using. On that basis the site can select a system that will monitor the full range of 10 meg ohm bags or a select a system that will monitor the full range of 100 meg ohm bags.



Earth-Rite® FIBC Static grounding protection for Type C FIBC located in potentially flammable/combustible gas or dust atmospheres



Product Ordering Codes * Additional Options Available

Ordering Code	Product Description	IECEX / ATEX	North America
FIBC8P1EA1A1	ER FIBC 1 x 10 ⁸ monitoring system + X45F stainless steel clamp + 5 m (16 ft.) Hytrel Cable + junction box with Quick Connect.	•	
FIBC8P1UA1A1	ER FIBC 1 x 10 ⁸ monitoring system + X45F stainless steel clamp + 5 m (16 ft.) Hytrel Cable + junction box with Quick Connect.		•
FIBC7P1EA1A1	ER FIBC 1 x 10 ⁷ monitoring system + X45F stainless steel clamp + 5 m (16 ft.) Hytrel Cable + junction box with Quick Connect.	•	
FIBC7P1UA1A1	ER FIBC 1 x 10 ⁷ monitoring system + X45F stainless steel clamp + 5 m (16 ft.) Hytrel Cable + junction box with Quick Connect.		•
FIBC8MEA1A1	ER FIBC Exd 1 x 10 ⁸ monitoring system + X45F stainless steel clamp + 5 m (16 ft.) Hytrel Cable + junction box with Quick Connect.	•	
FIBC8MUA1A1	ER FIBC XP 1 x 10 ⁸ monitoring system + X45F stainless steel clamp + 5 m (16 ft.) Hytrel Cable + junction box with Quick Connect.		•
FIBC7MEA1A1	ER FIBC Exd 1 x 10 ⁷ monitoring system + X45F stainless steel clamp + 5 m (16 ft.) Hytrel Cable + junction box with Quick Connect.	•	
FIBC7MUA1A1	ER FIBC XP 1 x 10 ⁷ monitoring system + X45F stainless steel clamp + 5 m (16 ft.) Hytrel Cable + junction box with Quick Connect.		•

Contact Us > Your enquiry will be processed rapidly via our webform enquiry service. If you would prefer to call us, or e-mail us, please use the contact details provided below.