

# ATEX



## EX1250 STATIC ELIMINATOR BAR

The EX1250 Bar is a high performance static eliminator with ATEX certification for use in hazardous areas.

**Maximum ionisation performance in a hazardous area.**

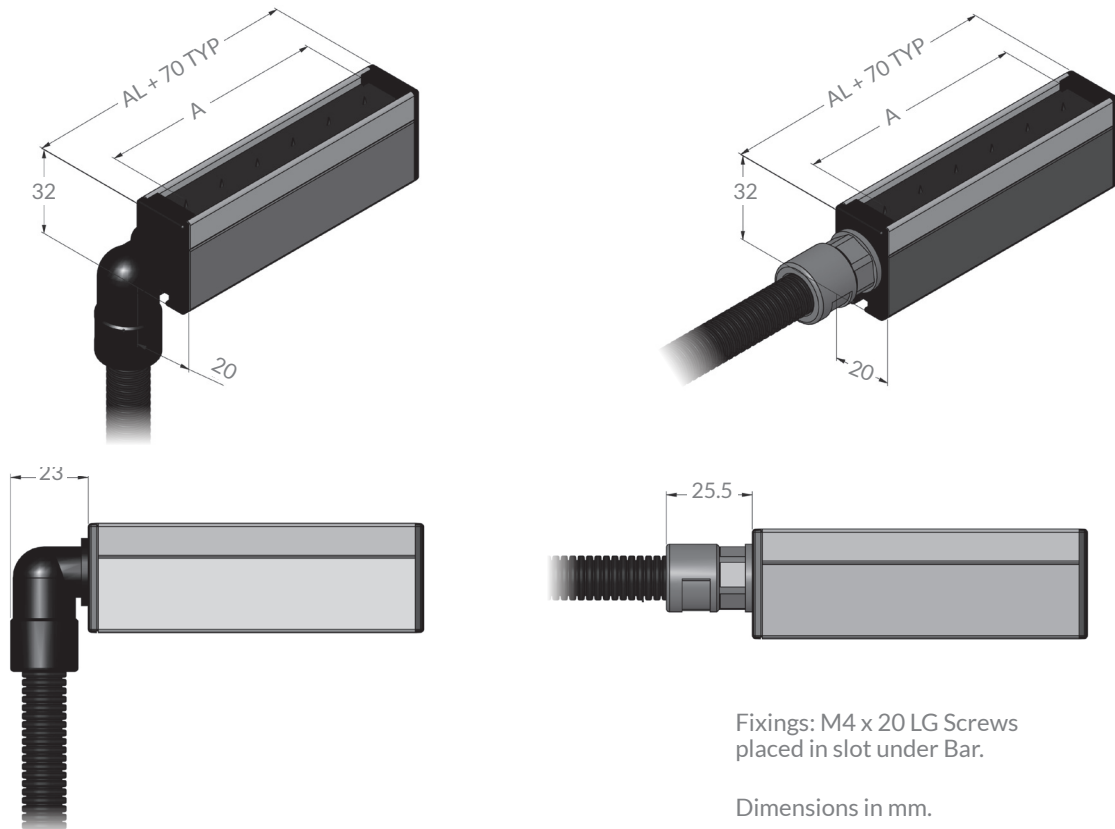
- > The EX1250 is part the Fraser 1250 family of static eliminators, which offer market-leading reliability and performance.
- > Stay-sharp etched emitters for better long term performance. Life 5 years +. Non-infectious.
- > Emitters at 15 mm pitch provide more ionisation and so better neutralisation.
- > Robust construction, but compact and easy to install.
- > Operating distance up to 150 mm. Best distance for high speeds and high charges 25 - 50 mm.
- > Washable and suitable for food, medical and pharmaceutical applications.
- > All electronic components are fully encapsulated for maximum reliability.
- > Certified for Zones 1 & 2. Gas group IIB (ethylene).
- > Certified for flammable dust IIC Zones 21 & 22



### Specification





<b>Length:</b>	Any size from 120 mm to 6000 mm. Active length is 70 mm less than overall length.
<b>Mounting:</b>	M4 x 20 mm hexagon studs slide in slot for mounting.
<b>Cable:</b>	3 m of cable in protective nylon conduit is standard, longer lengths can be specified at time of order. Please check that 3 m is sufficient - the Power Unit must be positioned outside the hazardous area.
<b>Safety:</b>	High resistance in emitters for shockless operation.
<b>Environment:</b>	Location should be dry and oil free. 40° maximum temperature. 70% rH non-condensing max.
<b>Power Unit:</b>	HP EX Power Unit, must be positioned outside of the hazardous area.
<b>Options:</b>	Airboost for extending the range up to 500 mm.- see 1250 AB. 90° cable exit. HP-ION Power Unit with remote function monitoring showing status of high voltage and whether Bars require cleaning EXHP-RM Power Unit with Monitoring and alarm function on Power Unit to show that Bars are operating correctly.

## Dimensions (mm)



## ATEX Certification

The details of the ATEX certification for the EX1250 Bar are:

EX-1250 Static Eliminator Bar YYYY/NNNN		
 I 2G IIB T6	 I 2 D IIC T85° (-20° ≤ Ta ≤ +40°C)	
Baseefa 07ATEX0157X		
Fraser Anti-Static Techniques Ltd, Scotts Business Park, Bampton EX16 9DN UK		
<a href="http://www.fraser-antistatic.co.uk">www.fraser-antistatic.co.uk</a>	<a href="mailto:sales@fraser-antistatic.co.uk">sales@fraser-antistatic.co.uk</a>	

### Explanation

- |  |  |
|--|--|
| <p><b>I</b> Industrial equipments.</p> <p><b>2</b> Equipment category: high protection. Suitable for zones 1 and 2.</p> <p><b>G</b> Equipment used in potentially explosive atmospheres caused by presence of explosive gas, vapour and mist.</p> <p><b>IIB</b> Gas Group. Group IIB covers Ethylene, in addition to the IIA Gases including Acetone, Benzene, Butane, Ethanol, Methane, Propane, Toluene and Xylene.</p> <p><b>T6</b> (-20 °C ≤ Ta ≤ +40 °C) Temperature class. Maximum Surface Temperature T6 = 85 °C.</p> | <p><b>II</b> Surface equipments.</p> <p><b>2</b> Equipment category: high protection. Suitable for zones 21 and 22.</p> <p><b>D</b> Equipment used in potentially explosive atmospheres caused by presence of airborne particles (dust).</p> <p><b>IIC</b> Dust Group. This includes</p> <ul style="list-style-type: none"> <li>IIIA: Combustible flyings</li> <li>IIIB: Non-conductive dust</li> <li>IIIC: Conductive dust</li> </ul> <p><b>T85</b> Temperature class. Maximum Surface Temperature 85 °C.</p> |
|--|--|

### How does it work?

The EX1250 is powered by the EXHP Power Unit, a high load 6 kV Power Unit, with remote monitoring options. Up to four Bars may be powered from each Power Unit. Please see separate Datasheet for more details.